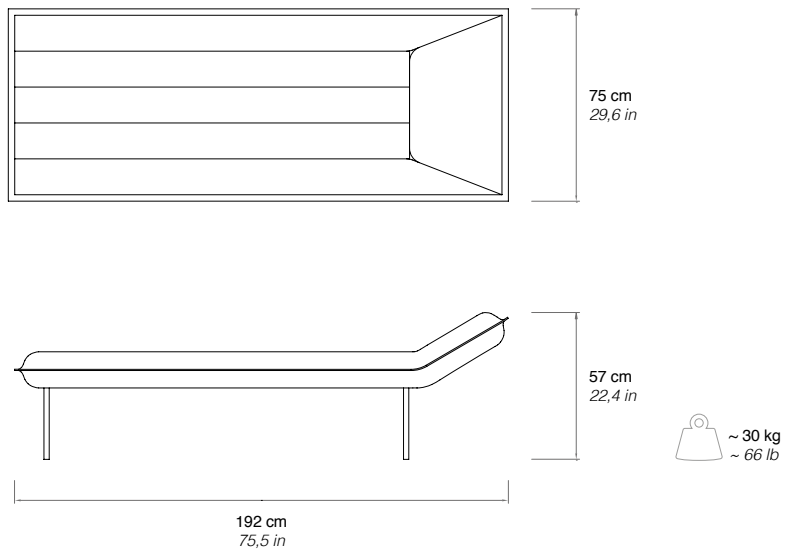


2015

**BLOW**

Emanuele Magini



**Day-bed of soft polyurethane upholstered with fabric.  
Stainless steel legs.**